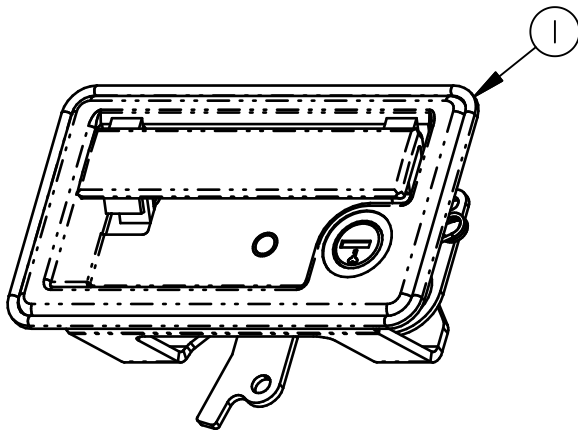


REV.	ECN	BY	CHKD	REVISION
0	RLSE	BJP 9/3/98	CML 9/4/98	RELEASED

8	-	DR, COMPT, LGE, SWG, LH	1
7	-	UPPER RELEASE ROD	1
6	-	LOWER RELEASE ROD	1
5	10335-16	ASSY, BLT/WSHR, .905SHLDR, 3/8-16	2
4	11920-16	ASSY, CAGE, NUT, 3/8 THD	2
3	11656-16	ASSY, SGLRTR, RH, 1/4-20, 2PT	1
2	11657-16	ASSY, SGLRTR, LH, 1/4-20, 2PT	1
1	12430-04	030-0450, CNNC, TM211, RH, 2PT, SHTSTUD, INTEAR	1

NOTES:

1. CLIPS TO SECURE RODS NOT SHOWN.



SCALE 0.500

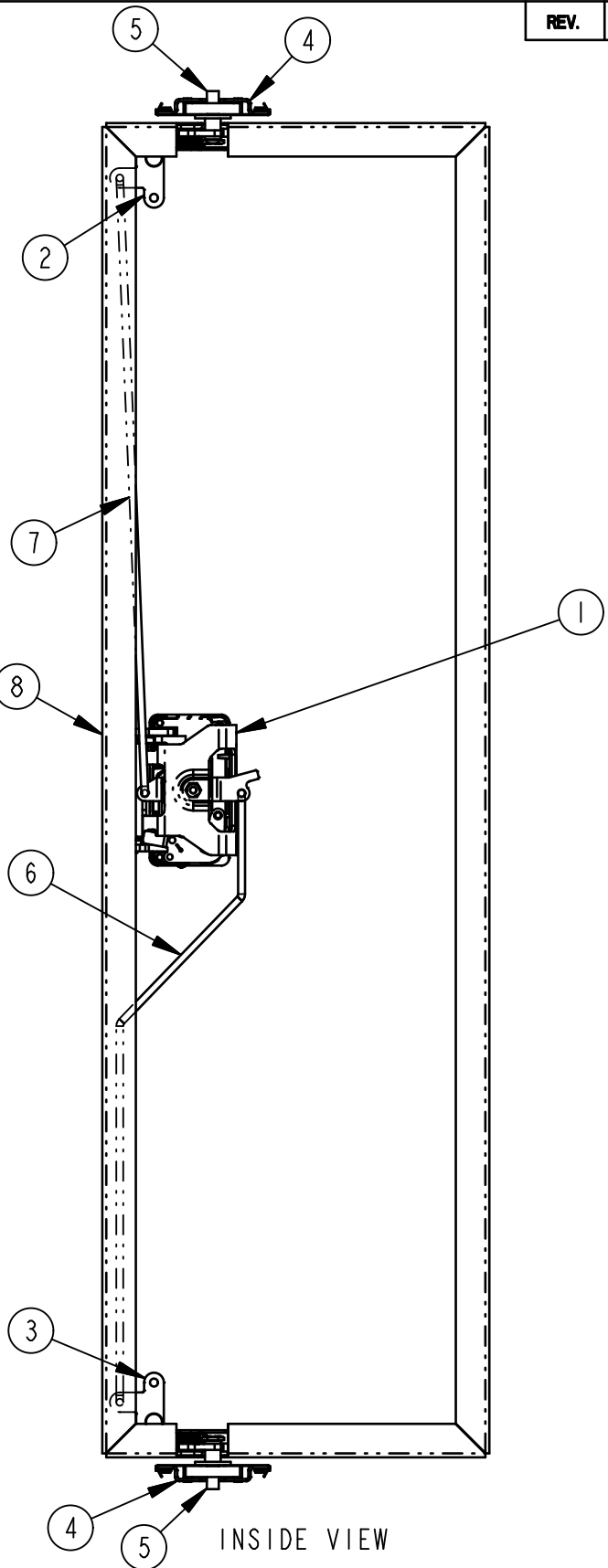
PRODUCT SUPPORT DRAWING
Individual part dimensions are for reference only. Refer to individual part drawings for complete dimensions and specifications.

SHEET 1 OF 2

DRAWN BY	BJP	9/3/98
CHKD BY	CML	9/4/98
RLSE DATE	RCH	9/4/98

TYPICAL APPLICATION	
LARGE COMPARTMENT DOOR	
SCALE	PART NAME
1:5	030-0450, 050-0200, DR, COMPT, LGE, SWG, LH
A	REV.
	PART NO.
0	TY030-0450B

REV.	ECN	BY	CHKD	REVISION
------	-----	----	------	----------



INSIDE VIEW

PRODUCT SUPPORT DRAWING
 Individual part dimensions are for reference only. Refer to individual part drawings for complete dimensions and specifications.

SHEET 2 OF 2

DRAWN BY	BJP	9/3/98
CHKD BY	CML	9/4/98
RLSE DATE	RCH	9/4/98

TYPICAL APPLICATION	
LARGE COMPARTMENT DOOR	
SCALE	PART NAME
1:5	030-0450, 050-0200, DR, COMPT, LGE, SWG, LH

A

REV.	PART NO.
0	TY030-0450B